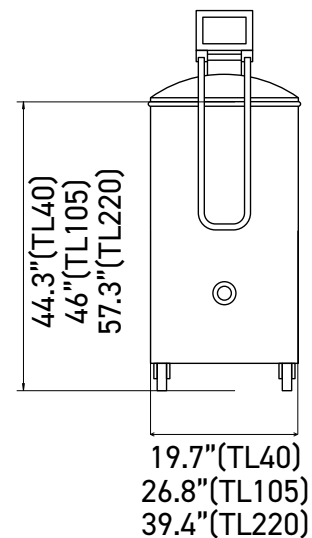
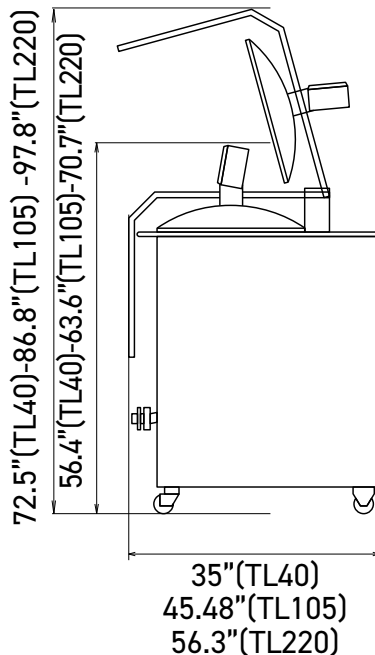




# TRADILEVAIN

- ✓ Starter uniformity and stability
- ✓ Simple usage and easy cleaning
- ✓ Stainless steel structure and exterior
- ✓ Exclusive mixing system
- ✓ 5 years parts / 1 year labor warranty





**Control panel**  
Controls and configures the mixing, fermentation and conservation cycles. Informs the user about how cycles are progressing.



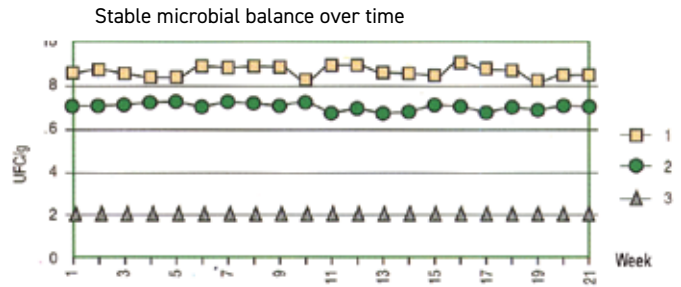
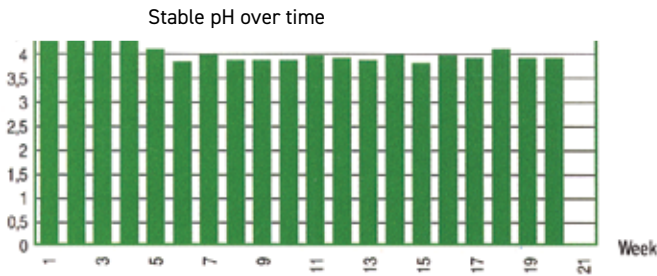
**Two draining outlets.**  
The upper outlet tap retains a minimum starter safety volume. The lower outlet allows complete draining.



**Exclusive mixing system.**  
Programmed to ensure ideal agitation. The immersed helix also reduces cleaning and maintenance operations to a minimum.



**Watertight lid**  
Fitted with a removable hermetic seal, the Tradilevain ensures a high degree of stability in the sourdough starter.



FEATURES	TL40	TL105	TL220
Usable capacity in gallons	10.5	27.7	58.1
Tank capacity in gallons	21.1	55.5	119
Motor power in kW	1.6	3.6	6.25
Type of motor	3ph/208V/60Hz/10A	3ph/208V/60Hz/15.3A	3ph/208V/60Hz/33A
Net weight in lbs	441"	639.3 "	926 "